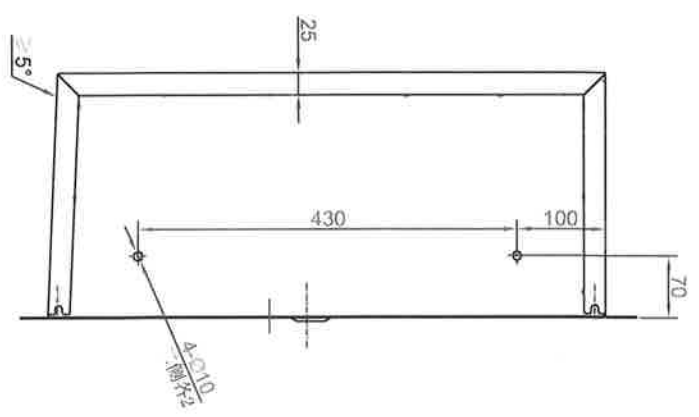


- Technical Requirements:**
1. Cabinet shell and door is connected with hinges and the door and hinges are connected through using d3.2 blind rivets(per picture shown);
 2. When the cabinet is locked in close, the door shall be flush with cabinet; and the door opening angle shall be more than 180; a:
 3. When there is no key to open and in urgent use, just break the wire glass and directly open the latch lock by hand from inside.



No.	Drawing No.	Name	QTY	Material	Weight	Remark
10	DLX01-036-03-Y01	Marking	1			
9	GB/T818-2000	M4 X 16 Pan head screw	3	Steel		Galvanized
8	DLX02-037	Latch lock	1	Assembly		
7	DLX01-036-03	Wire glass	1	Glass 575 X 332 X 6mm		Nickel plating
6	GB/T6182-2000	M5 Hexagon locking nut	6	Copper		
5	DLX02-039	Press plate	1	1.5mm Color zinc plate		
4	DLX01-036-02	Door	10	Cold rolled low carbon steel		
3	GB12618-90	Blind rivet d 3.2	1	Aluminium		
2	DLX02-024	Hinge	1	SUS304		
1	DLX01-036-01	Cabinet shell	1	Cold rolled low carbon steel		

Zone	Revision note	Audit	Date	Signature	Assembly	Code No. HC008
Drawn		Approval				
Checked					630 X 460 X 275 Fire Cabinet	W.T. ~15kg Scale Hydrotech